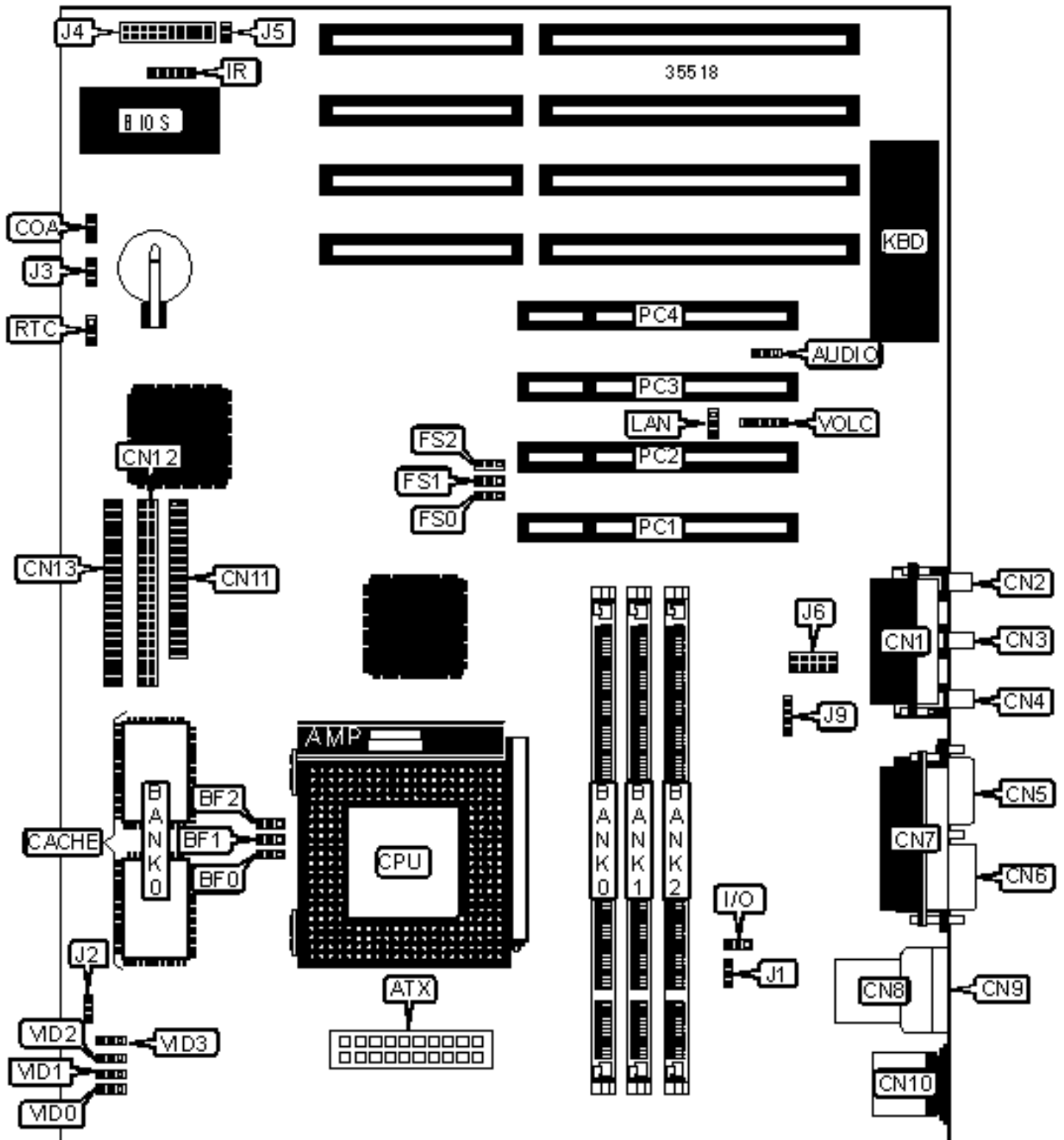


ASUS COMPUTER INTERNATIONAL

TX97-X (REV. 3.00)

Configuration



## CONNECTIONS

Purpose	Location	Purpose	Location
ATX power connector	ATX	IDE interface 1	CN13
Game/MIDI port	CN1	Chassis open alarm	COA
Microphone in connector	CN2	IR connector	IR
Line in connector	CN3	Chassis fan power	J1
Line out connector	CN4	Chassis fan power	J2
Serial port 1	CN5	Chassis fan power	J3
Serial port 2	CN6	Front panel connector	J4
Parallel port	CN7	IDE interface LED	J5
USB connector 1	CN8	Creative Modem connector	J6
USB connector 2	CN9	Sony CD-ROM connector	J9
PS/2 mouse port	CN10	Wake on LAN activity connector	LAN
Floppy drive interface	CN11	32-bit PCI slots	PC1 – PC4
IDE interface 2	CN12		

## USER CONFIGURABLE SETTINGS

Function	Label	Position
» On board audio enabled	AUDIO	Pins 2 & 3 closed
On board audio disabled	AUDIO	Pins 1 & 2 closed
» Factory configured - do not alter	BF2	Unidentified
» Flash BIOS write protect disabled	BBW	Pins 1 & 2 closed
Flash BIOS write protect enabled	BBW	Pins 2 & 3 closed
» On board I/O enabled	I/O	Pins 1 & 2 closed
On board I/O disabled	I/O	Pins 2 & 3 closed
» CMOS memory normal operation	RTC	Pins 1 & 2 closed

	CMOS memory clear	RTC	Pins 2 & 3 closed
	Volume control up	VOLC	Pins 1 & 2 closed
	Volume control down	VOLC	Pins 4 & 5 closed

<b>DIMM CONFIGURATION</b>			
Size	Bank 0	Bank 1	Bank 2
8MB	(1) 1M x 64	None	None
16MB	(1) 2M x 64	None	None
16MB	(1) 1M x 64	(1) 1M x 64	None
24MB	(1) 2M x 64	(1) 1M x 64	None
24MB	(1) 1M x 64	(1) 1M x 64	(1) 1M x 64
32MB	(1) 4M x 64	None	None
32MB	(1) 2M x 64	(1) 2M x 64	None
32MB	(1) 1M x 64	(1) 1M x 64	(1) 2M x 64
40MB	(1) 4M x 64	(1) 1M x 64	None
40MB	(1) 2M x 64	(1) 2M x 64	(1) 1M x 64
48MB	(1) 4M x 64	(1) 2M x 64	None
48MB	(1) 2M x 64	(1) 2M x 64	(1) 2M x 64

<b>DIMM CONFIGURATION (CON'T)</b>			
Size	Bank 0	Bank 1	Bank 2
48MB	(1) 1M x 64	(1) 1M x 64	(1) 4M x 64
64MB	(1) 8M x 64	None	None
64MB	(1) 4M x 64	(1) 4M x 64	None
72MB	(1) 8M x 64	(1) 1M x 64	None
72MB	(1) 4M x 64	(1) 4M x 64	(1) 1M x 64

80MB	(1) 8M x 64	(1) 2M x 64	None
80MB	(1) 4M x 64	(1) 4M x 64	(1) 2M x 64
96MB	(1) 8M x 64	(1) 4M x 64	None
96MB	(1) 4M x 64	(1) 4M x 64	(1) 4M x 64
128MB	(1) 8M x 64	(1) 8M x 64	None
128MB	(1) 16M x 64	None	None
136MB	(1) 16M x 64	(1) 1M x 64	None
144MB	(1) 16M x 64	(1) 2M x 64	None
160MB	(1) 16M x 64	(1) 4M x 64	None
192MB	(1) 16M x 64	(1) 8M x 64	None
256MB	(1) 16M x 64	(1) 16M x 64	None
256MB	(1) 32M x 64	None	None

### CACHE CONFIGURATION

Size	Bank 0
256KB	(2) 32K x 32
512KB	(2) 64K x 32

### CPU SPEED SELECTION (CX 6X86)

CPU speed	Clock speed	Multiplier	BF0	BF1	FS0	FS1	FS2
166MHz	66MHz	2x	2 & 3	1 & 2	1 & 2	2 & 3	2 & 3

Note: Pins designated should be in the closed position.

### CPU SPEED SELECTION (CX 6X86MX)

CPU speed	Clock speed	Multiplier	BF0	BF1	FS0	FS1	FS2
150MHz	60MHz	2.5x	2 & 3	2 & 3	2 & 3	2 & 3	2 & 3

166MHz	66MHz	2.5x	2 & 3	2 & 3	2 & 3	2 & 3	1 & 2
200MHz	66MHz	3x	2 & 3	1 & 2	2 & 3	2 & 3	1 & 2
Note: Pins designated should be in the closed position.							

<b>CPU SPEED SELECTION (AM K5)</b>							
CPU speed	Clock speed	Multiplier	BF0	BF1	FS0	FS1	FS2
75MHz	50MHz	1.5x	1 & 2	1 & 2	2 & 3	1 & 2	2 & 3
90MHz	60MHz	1.5x	1 & 2	1 & 2	2 & 3	2 & 3	2 & 3
100MHz	66MHz	1.5x	1 & 2	1 & 2	1 & 2	2 & 3	2 & 3
120MHz	60MHz	1.5x	1 & 2	1 & 2	2 & 3	2 & 3	2 & 3
133MHz	66MHz	1.5x	1 & 2	1 & 2	1 & 2	2 & 3	2 & 3
Note: Pins designated should be in the closed position.							

<b>CPU SPEED SELECTION (AM K6)</b>							
CPU speed	Clock speed	Multiplier	BF0	BF1	FS0	FS1	FS2
166MHz	66MHz	2x	2 & 3	2 & 3	2 & 3	2 & 3	1 & 2
200MHz	66MHz	3x	2 & 3	1 & 2	2 & 3	2 & 3	1 & 2
233MHz	66MHz	3.5x	1 & 2	1 & 2	2 & 3	2 & 3	1 & 2
Note: Pins designated should be in the closed position.							

<b>CPU SPEED SELECTION (INTEL)</b>							
CPU speed	Clock speed	Multiplier	BF0	BF1	FS0	FS1	FS2
75MHz	50MHz	1.5x	1 & 2	1 & 2	2 & 3	1 & 2	2 & 3
90MHz	60MHz	1.5x	1 & 2	1 & 2	2 & 3	2 & 3	2 & 3
100MHz	66MHz	1.5x	1 & 2	1 & 2	1 & 2	2 & 3	2 & 3
120MHz	60MHz	2x	2 & 3	1 & 2	2 & 3	2 & 3	2 & 3

133MHz	66MHz	2x	2 & 3	1 & 2	1 & 2	2 & 3	2 & 3
150MHz	60MHz	2.5x	2 & 3	2 & 3	2 & 3	2 & 3	2 & 3
166MHz	66MHz	2.5x	2 & 3	2 & 3	1 & 2	2 & 3	2 & 3
200MHz	66MHz	3x	1 & 2	2 & 3	1 & 2	2 & 3	2 & 3

Note: Pins designated should be in the closed position.

### CPU SPEED SELECTION (INTELMMX)

CPU speed	Clock speed	Multiplier	BF0	BF1	FS0	FS1	FS2
166MHz	66MHz	2.5x	2 & 3	2 & 3	1 & 2	2 & 3	2 & 3
200MHz	66MHz	3x	1 & 2	2 & 3	1 & 2	2 & 3	2 & 3
233MHz	66MHz	3.5x	1 & 2	1 & 2	1 & 2	2 & 3	2 & 3

Note: Pins designated should be in the closed position.

### CPU VOLTAGE SELECTION (SINGLE)

Voltage	VID0	VID1	VID2	VID3
3.4v	Pins 2 & 3 closed	Open	Pins 2 & 3 closed	Open
3.5v	Pins 1 & 2 closed	Open	Pins 2 & 3 closed	Open

### CPU VOLTAGE SELECTION (DUAL)

V I/O	V core	VID0	VID1	VID2	VID3
1.8v	3.3v	Open	Open	Open	Pins 1 & 2 closed
1.9v	3.3v	Open	Open	Open	Pins 2 & 3 closed
2.1v	3.3v	Pins 1 & 2 closed	Pins 2 & 3 closed	Open	Open
2.5v	3.3v	Pins 1 & 2 closed	Pins 2 & 3 closed	Pins 1 & 2 closed	Open
2.7v	3.3v	Pins 1 & 2 closed	Pins 1 & 2 closed	Pins 1 & 2 closed	Open
2.8v	3.3v	Pins 2 & 3 closed	Pins 2 & 3 closed	Pins 2 & 3 closed	Open

2.9v	3.3v	Pins 1 & 2 closed	Pins 2 & 3 closed	Pins 2 & 3 closed	Open
3.2v	3.3v	Pins 2 & 3 closed	Pins 2 & 3 closed	Pins 1 & 2 closed	Open