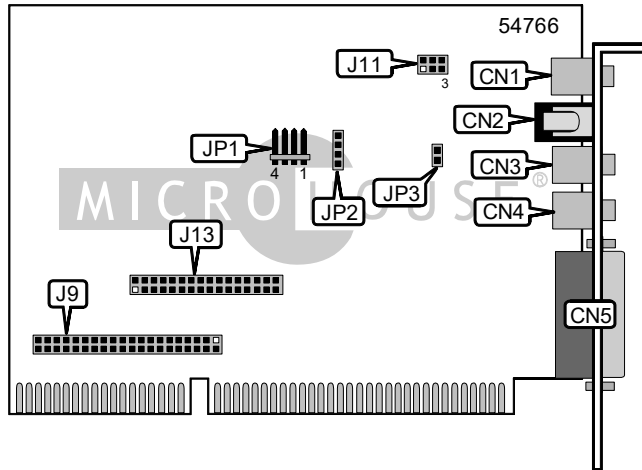


MULTIWAVE INNOVATION, INC. 16PNP FD SOUND CARD

Card Type	Sound Card
Chip Set	ESS
Maximum Onboard Memory	Unidentified
I/O Options	Game Port, IDE Interface, Wavetable connector, line in, line out, microphone, CD-ROM - audio connector
Data Bus	16 Bit ISA
Card Size	Half-Length, full height



CONNECTIONS			
Function	Label	Function	Label
Line out	CN1	IDE Interface	J9
6/9 Volt DC Output	CN2	CD-ROM - audio connector	JP1
Line in	CN3	Auxiliary in	JP2
Microphone in	CN4	Wavetable Interface	J13
MIDI/game port	CN5		

USER CONFIGURABLE SETTINGS			
Function	Label	Position	
Speaker Out	J11	Pins 2 & 3, 5 & 6 closed	
Line Out	J11	Pins 1 & 2, 4 & 5 closed	
6 volt output	JP3	Closed	
9 volt output	JP3	Open	