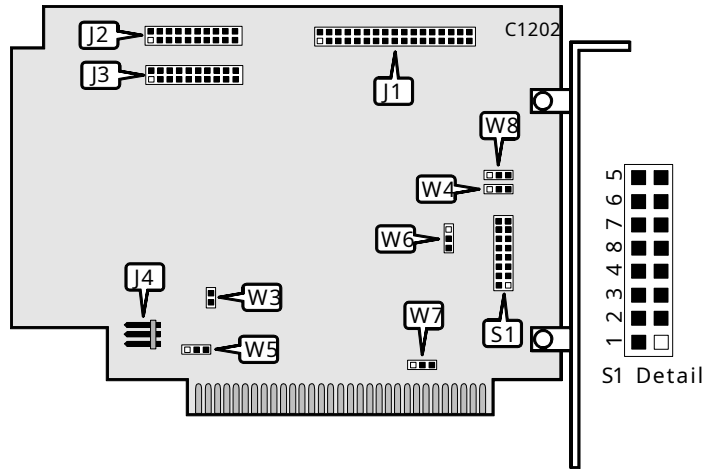


WESTERN DIGITAL CORPORATION

WD1002A-WX1 (VER. 1) REV D and up

Data Bus	8-bit
Card Size	Proprietary
Hard Drives supported	Two ST-506/412(MFM) drives
Floppy drives supported	None



CONNECTIONS			
Function	Location	Function	Location
34-pin control cable connector-hard drive	J1	20-pin data cable connector-drive 1	J3
20-pin data cable connector-drive 0	J2	5-pin connector-DC power	J4

USER CONFIGURABLE SETTINGS		
Function	Label	Position
í BIOS enabled	W3	Closed
BIOS disabled	W3	Open
í I/O port address 320h	W4	pins 2 & 3 closed
I/O port address 324h	W4	pins 1 & 2 closed
í BIOS ROM size 32K or 64K (hard-wired)	W5	pins 1 & 2 closed
BIOS ROM size 16K	W5	pins 2 & 3 closed
í 8 head hard drive with RWC supported	W6	pins 2 & 3 closed
16 head hard drive supported (head select 3)	W6	pins 1 & 2 closed
í Hard drive Interrupt is IRQ5 (hard-wired)	W7	pins 1 & 2 closed
Hard drive Interrupt is IRQ2	W7	pins 2 & 3 closed
í Single controller setting, primary controller	W8	pins 2 & 3 closed
Dual controller setting, secondary controller	W8	pins 1 & 2 closed
í Factory configured - Do not alter	S1/5	Open
í Factory configured - Do not alter	S1/6	Open
í Factory configured - Do not alter	S1/7	Open
í Factory configured - Do not alter	S1/8	Open

Continued on next page...

BIOS REVISION DRIVE TYPE TABLE									
	Drive1			Drive 0					
#	S1/1	S1/2	S1/3	S1/4	Cap.	Hds	Cyls.	WP	RWC
0	closed	closed	closed	closed	20 MB	4	612	613	613
1	open	closed	open	closed	10 MB	2	612	128	128
2	closed	open	closed	open	20 MB	4	612	128	613
3	open	open	open	open	10 MB	4	306	0	306
Note: S1/1 and S1/2 select the setting for drive1 & S1/3 and S1/4 select the setting for drive 0									

MISCELLANEOUS TECHNICAL NOTES
Note: This controller has a built-in low-level format program. To enter the program, run the DEBUG utility supplied with DOS and at the prompt enter: G=C800:5. Two additional jumpers may be present, W1 & W2, and are reserved for factory use and may not be changed.