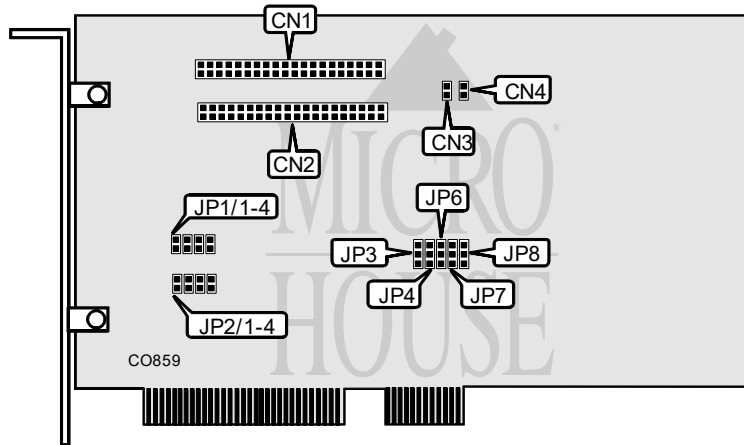


CHAINTECH COMPUTER COMPANY, LTD. IDE-PCI-2 (ASIC VERSION)

Q4/95

Data bus: 32-bit PCI
 Size: Half-length, full-height card
 Hard drive supported: Four IDE(XT) drives
 Floppy drives supported: None



CONNECTIONS	
Function	Location
40-pin primary IDE(AT) connector	CN1
40-pin secondary IDE(AT) connector	CN2
2-pin connector - drive active LED (primary IDE)	CN3
2-pin connector - drive active LED (secondary IDE)	CN4

USER CONFIGURABLE SETTINGS		
Function	Location	Setting
Primary IDE(AT) interface enabled	JP3/pins 1 & 2	closed
Primary IDE(AT) interface disabled	JP3/pins 2 & 3	closed
Secondary IDE(AT) interface enabled	JP4/pins 1 & 2	closed
Secondary IDE(AT) interface disabled	JP4/pins 2 & 3	closed
CPU clock speed <=33MHz	JP6/pins 1 & 2	closed
CPU clock speed >33MHz	JP6/pins 2 & 3	closed

Continued on next page. . .

**CHAINTECH COMPUTER COMPANY, LTD.
IDE-PCI-2 (ASIC VERSION)**

...continued from previous page

PCI INTERRUPT SELECTION FOR PRIMARY IDE, IRQ 14				
INT	JP1/ 1	JP1/2	JP1/ 3	JP1/ 4
A	closed	open	open	open
B	open	closed	open	open
C	open	open	closed	open
D	open	open	open	closed

PCI INTERRUPT SELECTION FOR SECONDARY IDE, IRQ 15				
INT	JP2/ 1	JP2/2	JP2/ 3	JP2/ 4
A	closed	open	open	open
B	open	closed	open	open
C	open	open	closed	open
D	open	open	open	closed

TIMING MODE SELECTION		
Mode	JP7	JP8
0 (600ns. normal speed device)	pins 1 & 2 closed	pins 1 & 2 closed
1 (383ns. fast speed device)	pins 1 & 2 closed	pins 2 & 3 closed
2 (240ns. turbo speed device)	pins 2 & 3 closed	pins 1 & 2 closed